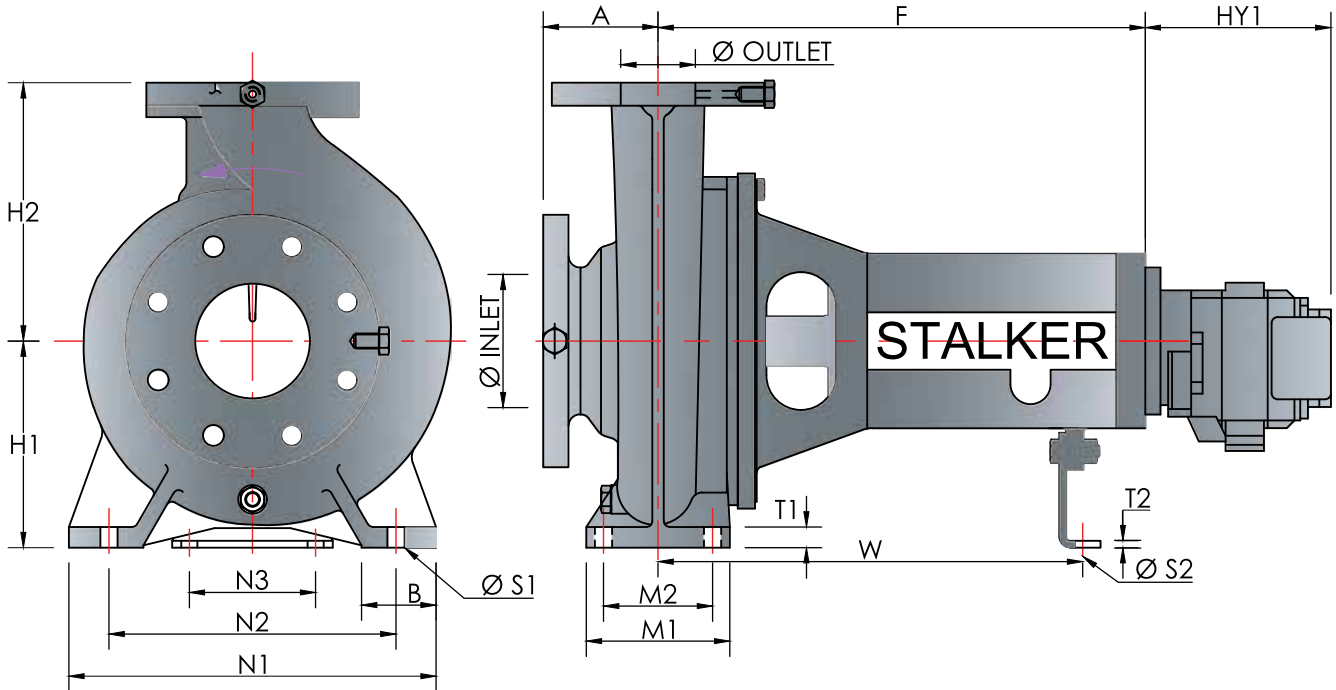


ISO 2858 Hydraulic Driven

Dimensions

ISO 4600, 4700, 6300, 6400 and 7000 Hydraulic Series



Stalker Series	Pump Size			Shaft No.	Pump Dimensions				Mounting Dimensions							Bolt Holes		Hydraulic Motor			
	INLET	OUTLET	IMP Ø		A	F	H1	H2	B	M1	M2	N1	N2	N3	T1	T2	W	S1	S2	HY1 2000 RPM Motor	HY1 2400 RPM Motor
4600	100	65	200	2	100	425	180	225	65	125	95	320	250	110	18	6	370	Ø15	Ø15	210	210
4700	100	65	250	2	125	425	200	250	80	160	120	360	280	110	16	6	370	Ø18	Ø15	201	223
6300	125	100	250	3	140	417	225	280	76	160	120	400	315	110	20	6	370	Ø18	Ø15	241	249
6400	125	100	315	3	140	417	250	315	75	160	120	390	315	110	20	6	370	Ø18	Ø15	241	249
7000	150	125	250	3	140	417	250	355	80	160	120	400	315	110	20	6	370	Ø18	Ø15	241	249

All dimensions are stated in millimetres