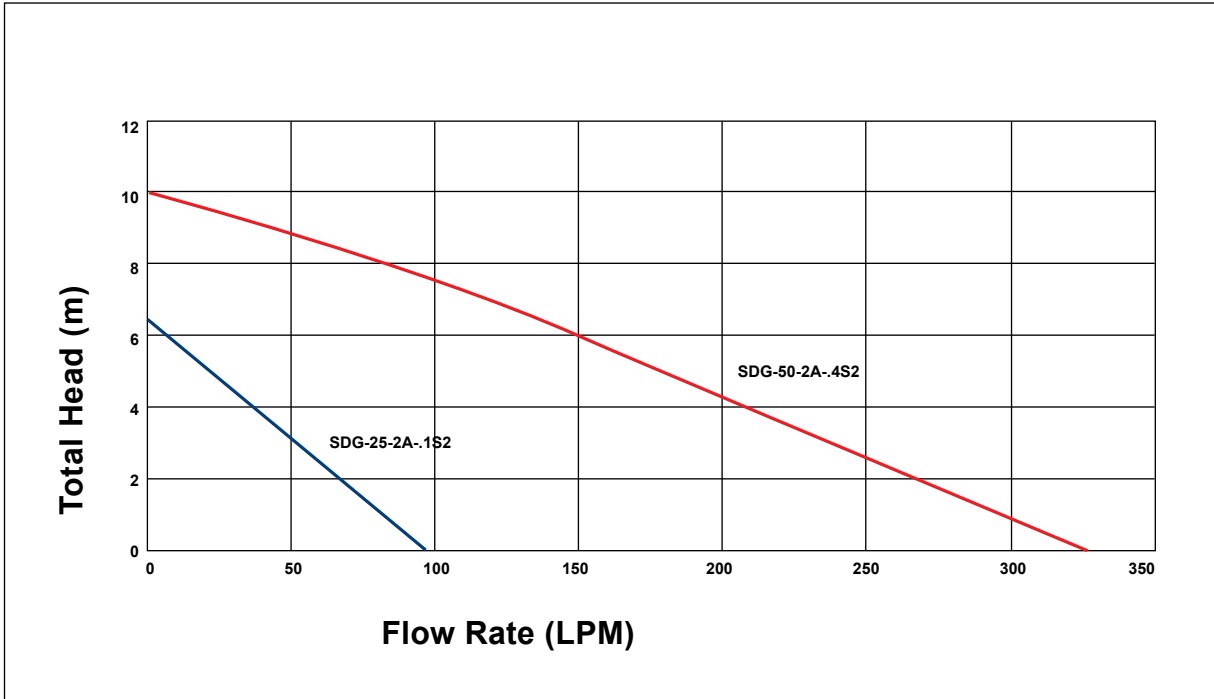


Performance Curves



Aquaplus Submersible Dewatering Pumps 240V - SDG Series (cont.)



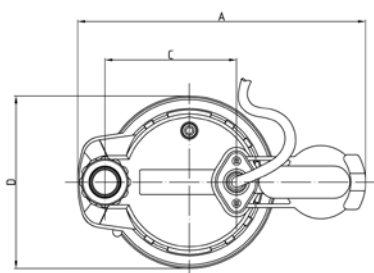
Features

- Single phase 240V pump
- Small robust pump
- Automatic motor protection
- Double mechanical seal in oil bath
- Reinforced polymer / non-corrosive housing
- Manual / Auto vertical float

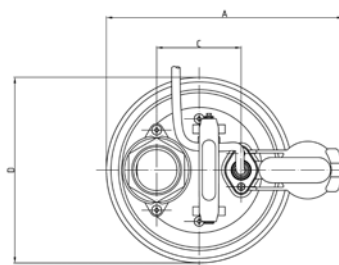
Applications

- Suitable for sea water
- Cellar or basement drainage
- Storm water drainage
- Tank / pool / pond pump out / circulation
- Fish breeding / aquaculture
- Emergency pump out down to 2mm (SDG-25-2A-.1S2-10AVP-O)

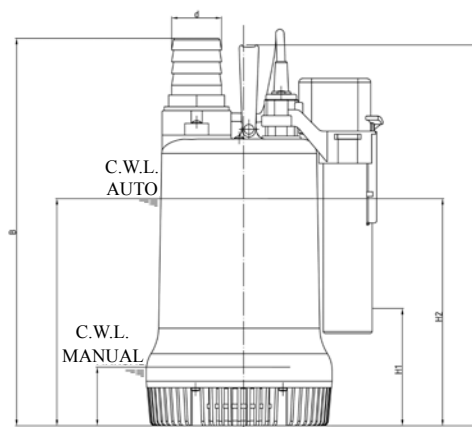
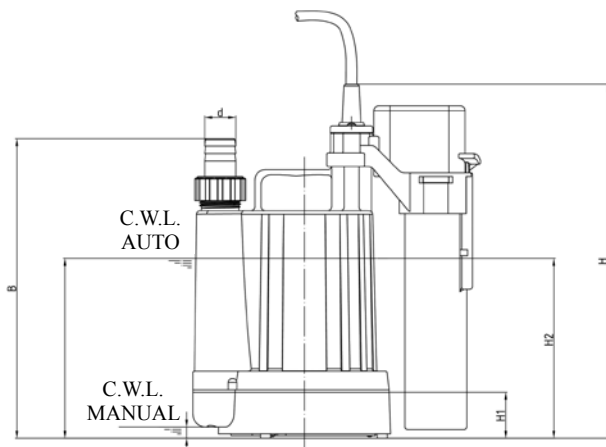
Dimensions



SDG-25-2A-.1S2-10AVP-O



SDG-50-2A-.4S2-10AVP-O



Model	Dimensions (mm)									
	D	H	A	B	C	H1	H2	d	C.W.L Manual	C.W.L Auto
Automatic / Manual										
SDG-25-2A-.1S2-10AVP-O	139	286	232	242	106	38	140	19/25	2	145
SDG-50-2A-.4S2-10AVP-O	190	390	242	397	86.5	102	230	50	60	233

Technical Specifications and Pricing

Model Number	Discharge (mm)	Power (kW)	Voltage (V)	Cable (m)	Max Flow (LPM)	Shut-off Head (m)	Pump Weight (kg)	Max Solid (mm)	Rated current A (240 V)
Automatic / Manual									
SDG-25-2A-.1S2-10AVP-O	25	0.1	230	10	95	6.5	4.1	2	1.01
SDG-50-2A-.4S2-10AVP-O	50	0.4	220	10	315	10	9.1	2.5	3.4