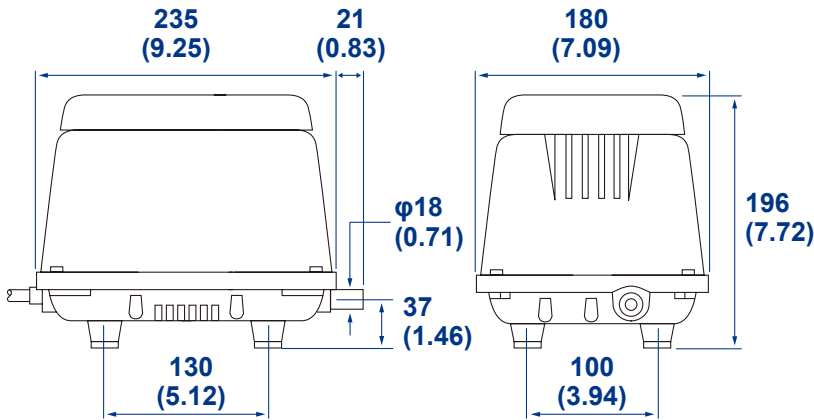


HP-60, 80

PRESSURE TYPE

Dimensions

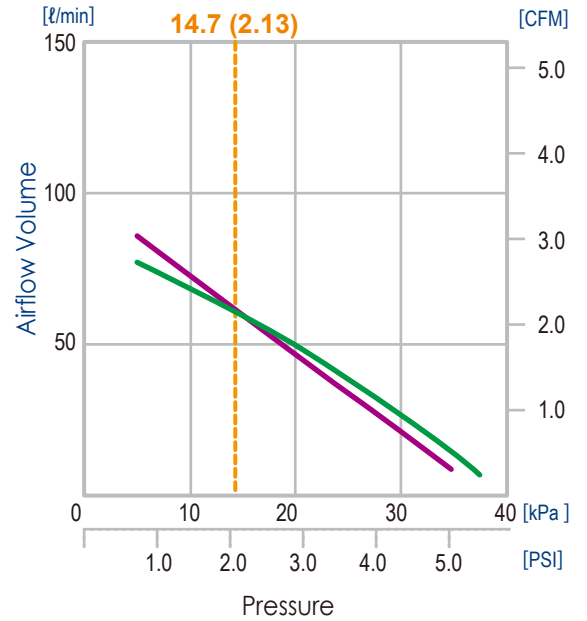
[Unit: mm(inch)]



Performance Curves

--- Rated Loading Pressure [kPa(Psi)]
— 50Hz — 60Hz

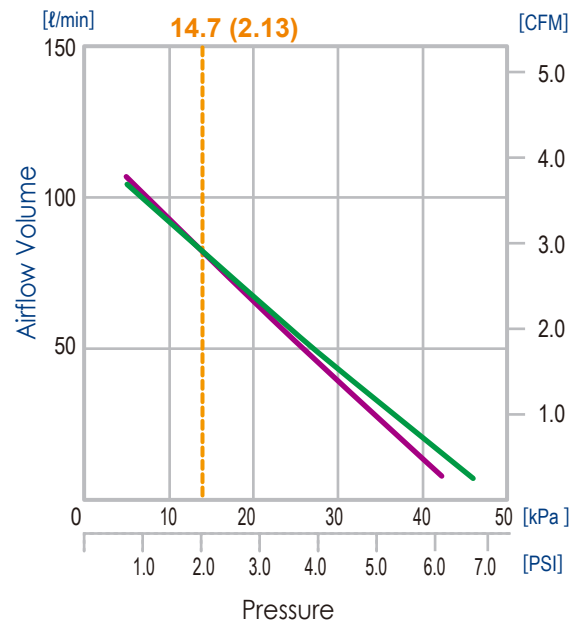
HP-60



Specifications

		HP-60		HP-80	
Rated Voltage	V	AC100 / 110-120 / 220-240			
Power Supply Frequency	Hz	50	60	50	60
Rated Loading Pressure	kPa	14.7			
Airflow Volume	ℓ/min	60		80	
Power Consumption	W	51		71	
Noise Level	dBA	35		36	
Weight	kg	7.0			

HP-80



- Performance data is representative of typical values. Specifications and performance data are subject to change without notice. Purchaser is responsible for determining suitability for product applications
- "HIBLOW" is a registered mark of Techno Takatsuki co., Ltd.