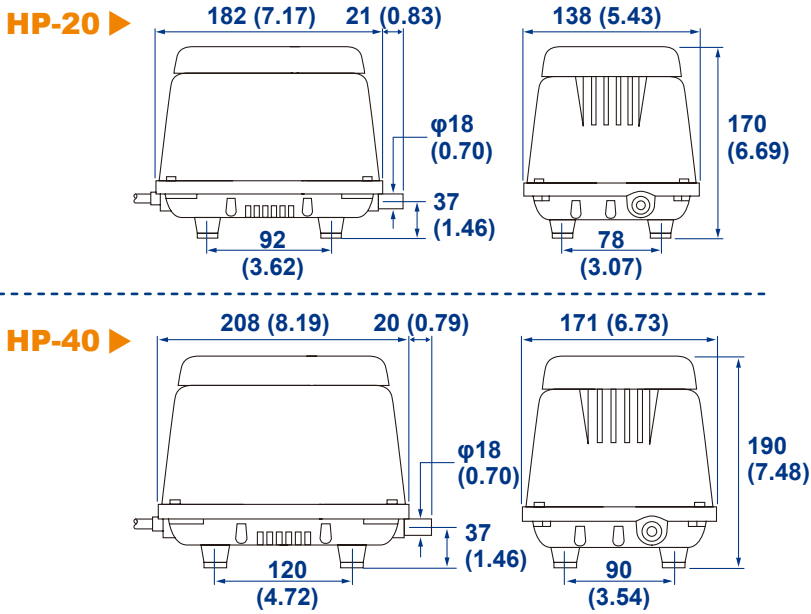


HP-20, 40

PRESSURE TYPE

Dimensions

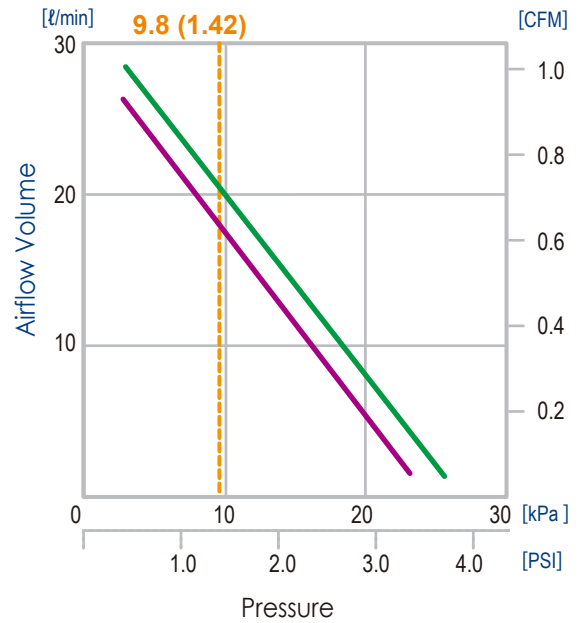
[Unit: mm(inch)]



Performance Curves

--- Rated Loading Pressure [kPa(Psi)]
 --- 50Hz --- 60Hz

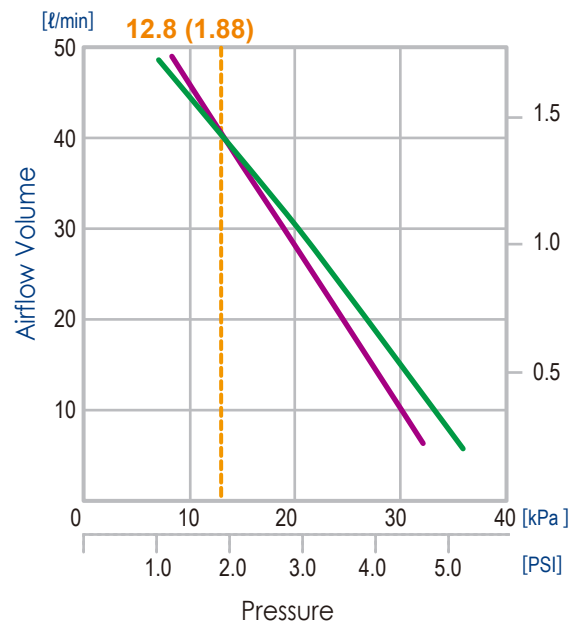
HP-20



Specifications

		HP-20	HP-40
Rated Voltage	V	AC100 / 110-120 / 220-240	
Power Supply Frequency	Hz	50 : 60	50 : 60
Rated Loading Pressure	kPa	9.8	12.8
Airflow Volume	l/min	18 : 20	40
Power Consumption	W	17	38
Noise Level	dBA	31	32
Weight	kg	3.2	5.7

HP-40



• Performance data is representative of typical values.
 Specifications and performance data are subject to change without notice.
 Purchaser is responsible for determining suitability for product applications
 • "HIBLOW" is a registered mark of Techno Takatsuki co., Ltd.