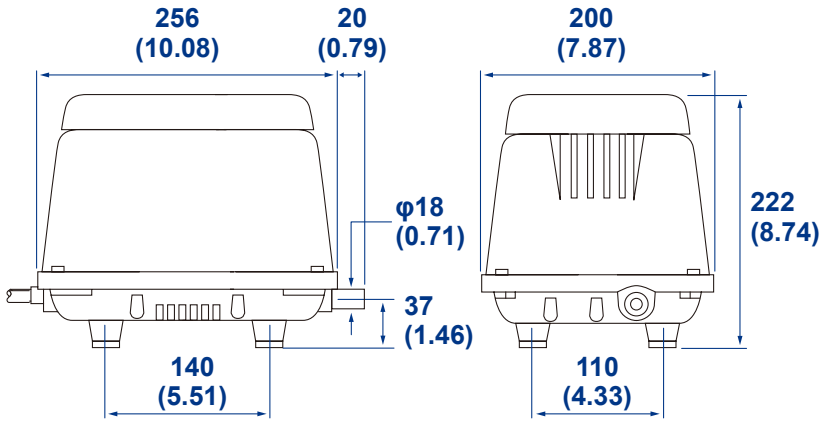


# HP-150, 200

PRESSURE TYPE

## Dimensions

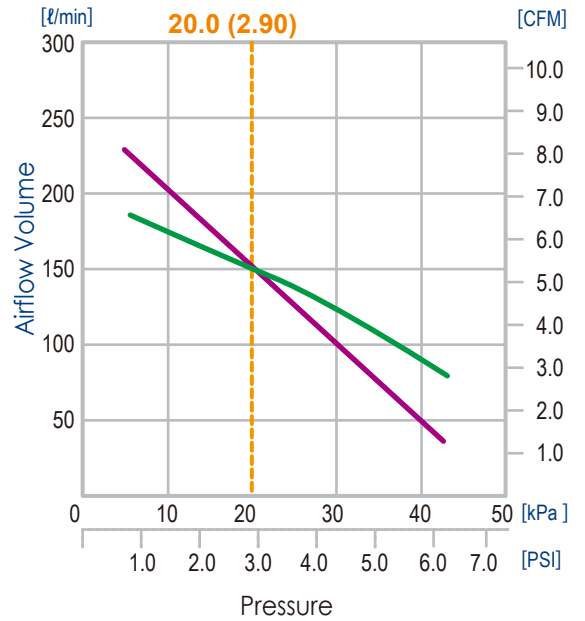
[Unit: mm(inch)]



## Performance Curves

--- Rated Loading Pressure [kPa(PSI)]  
— 50Hz — 60Hz

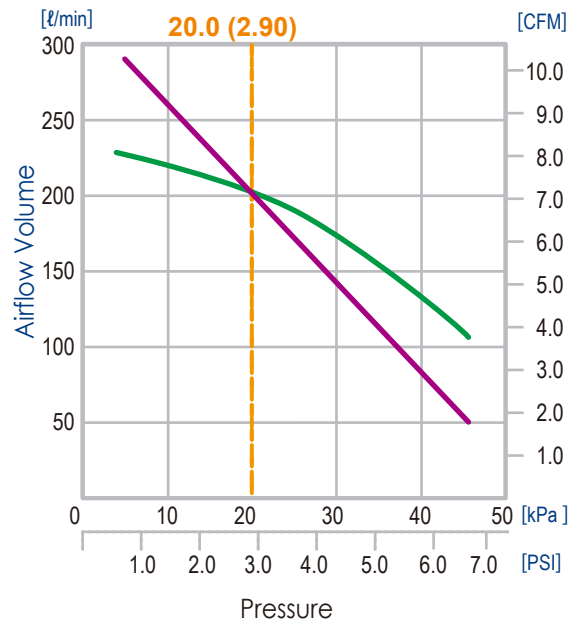
### HP-150



## Specifications

		HP-150		HP-200	
Rated Voltage	V	AC100 / 110-120 / 220-240			
Power Supply Frequency	Hz	50	60	50	60
Rated Loading Pressure	kPa	20.0			
Airflow Volume	$\ell/\text{min}$	150		200	
Power Consumption	W	125	155	210	250
Noise Level	dB(A)	45	47	46	48
Weight	kg	9.0			

### HP-200



• Performance data is representative of typical values.  
Specifications and performance data are subject to change without notice.  
Purchaser is responsible for determining suitability for product applications  
• "HIBLOW" is a registered mark of Techno Takatsuki co., Ltd.